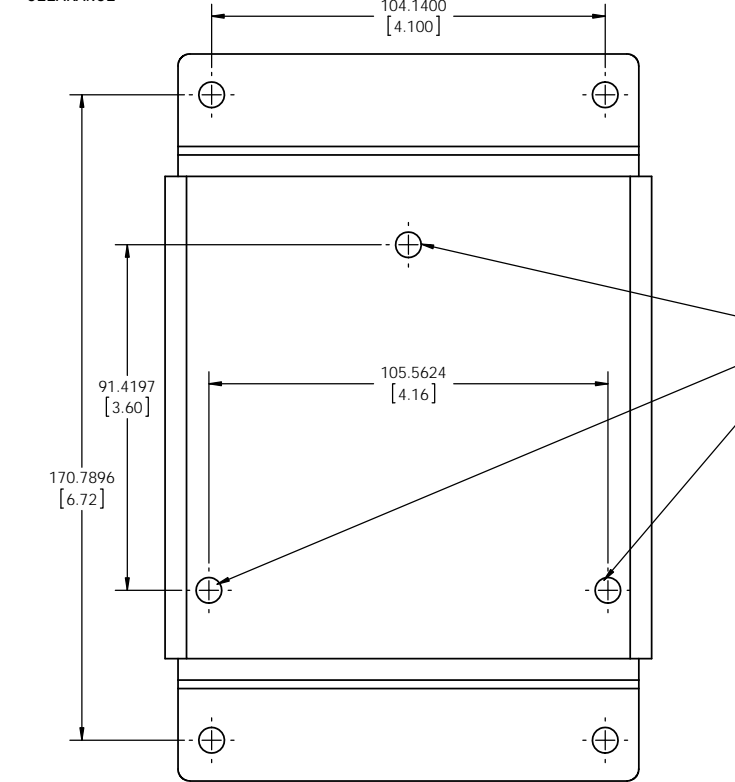
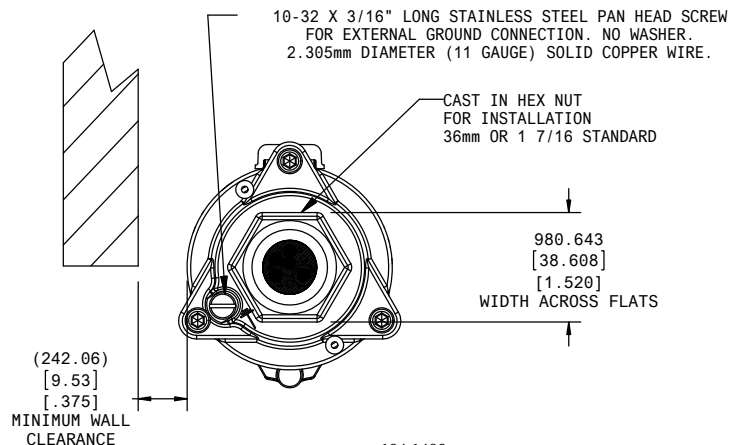
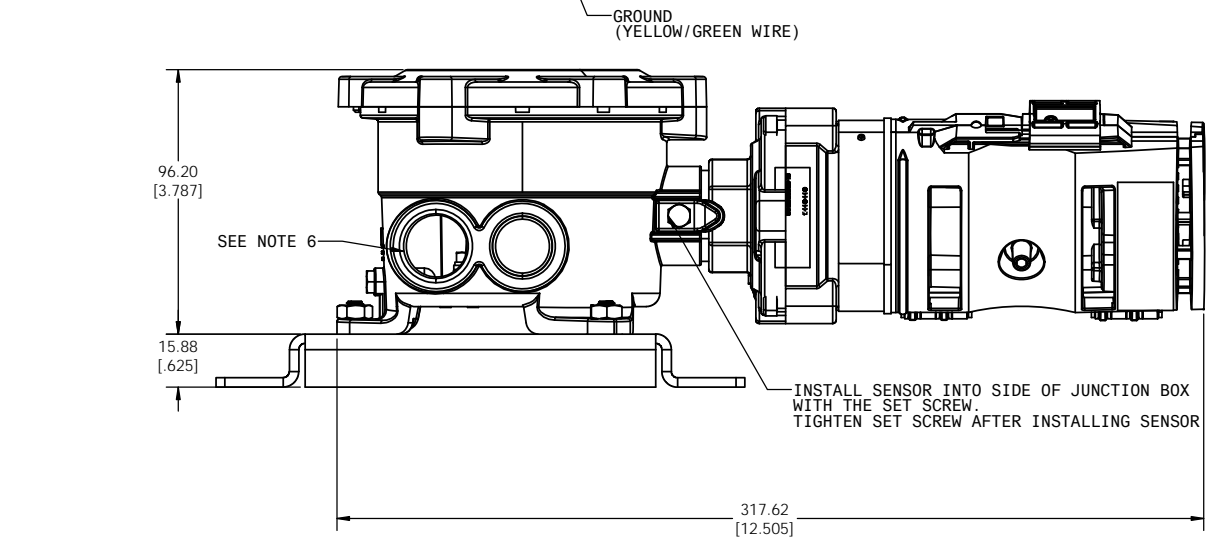
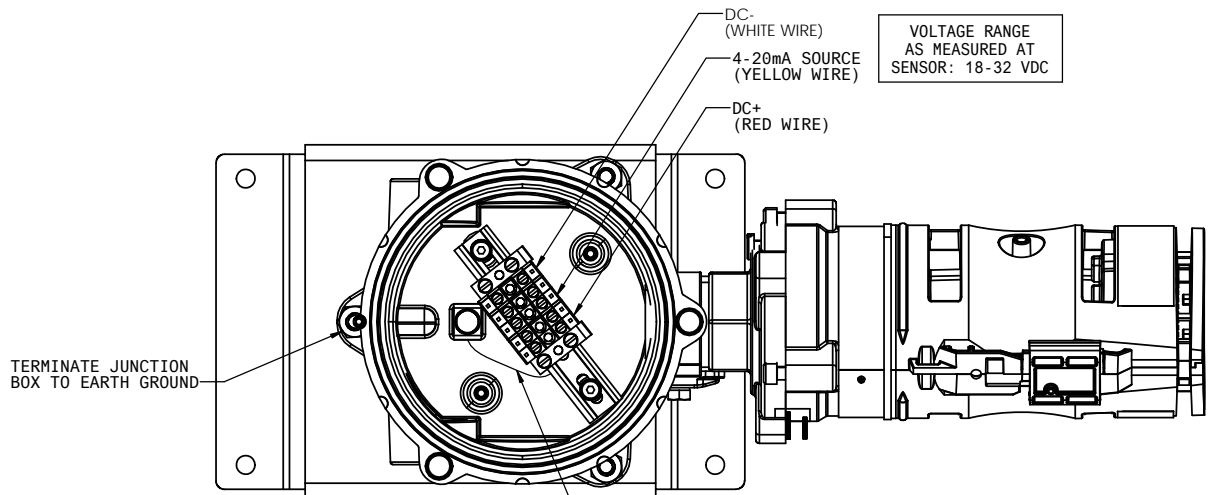
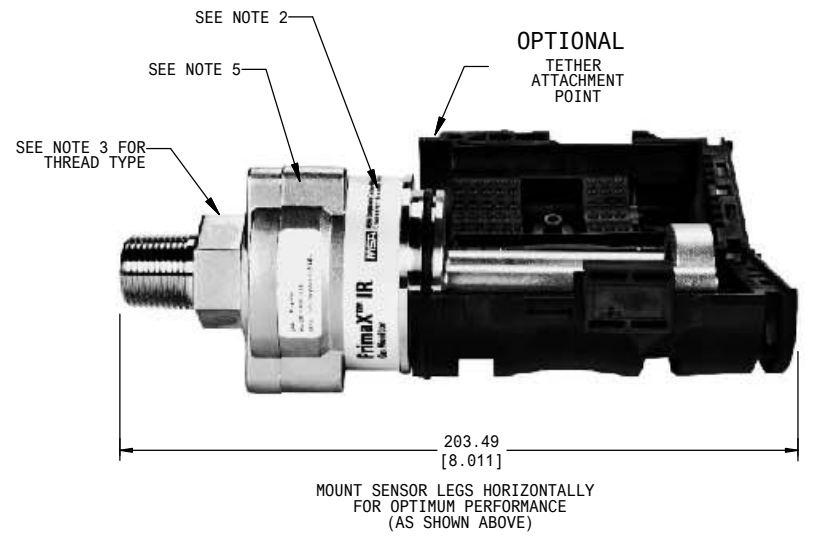


# SENSOR WITH OPTIONAL ALUMINUM JUNCTION BOX



OPTIONAL MOUNTING BRACKET FOR ALUMINUM JUNCTION BOX (MOUNTING BRACKET P/N 10147305)



SENSOR AND JUNCTION BOX WEIGHTS:

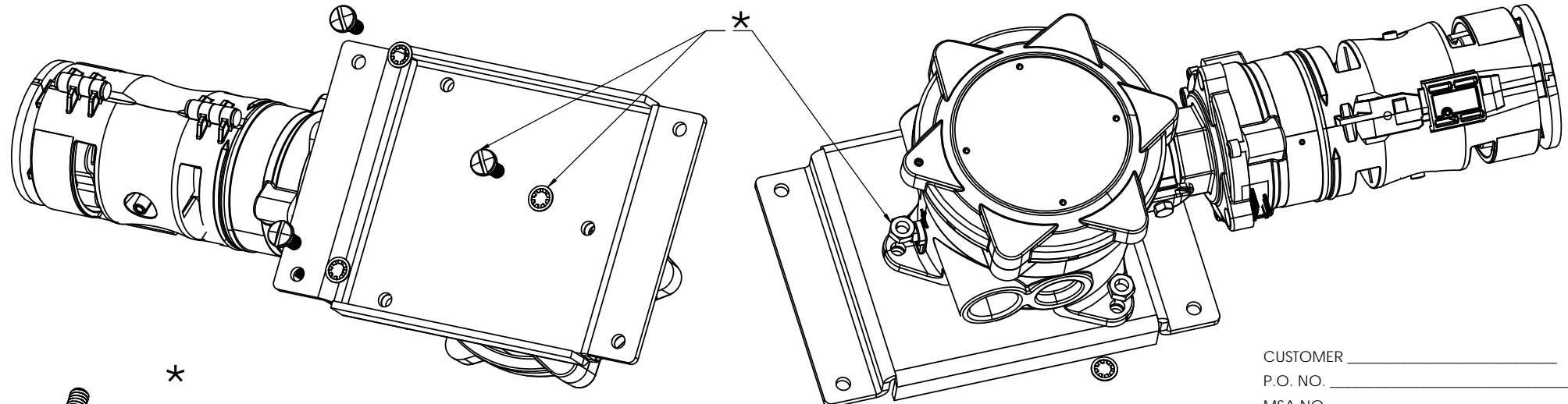
SENSOR:	1.5kg (3.3 lbs)
ALUMINUM JUNCTION BOX:	0.8kg (1.76 lb)
MOUNTING BRACKET:	0.32kg (0.7 lb)
COMBINED SENSOR, JUNCTION BOX & BRACKET	2.74kg (6.0 lb)

MAXIMUM CABLE LENGTH AT 24 VOLTS WITH MAX LOAD = 500 Ω

WIRE SIZE	DISTANCE
1.0 mm <sup>2</sup>	480m (1600 FT.)
1.5 mm <sup>2</sup>	720m (2400 FT.)

INPUT VOLTAGE (AS MEASURED AT SENSOR)	POWER REQUIREMENTS	
	STEADY STATE	MAXIMUM
18 VOLTS	220mA	350mA
24 VOLTS	175mA	250mA
32 VOLTS	130mA	200mA

- NOTES:
- DIMENSIONS SHOWN IN MILLIMETERS [INCHES].
  - CHECK THIS TAG FOR HAZARDOUS RATING.
  - ATEX METRIC UNITS HAVE M25 X 1.5 EXTERNAL THREADS. ATEX NPT UNITS HAVE 3/4-14 NPT THREADS.
  - INSTRUMENT WEIGHT = 1.48 kg.
  - SENSOR ENCLOSURE IS MADE OF 316 STAINLESS STEEL.
  - CERTIFIED STOPPING PLUGS OR CERTIFIED ENTRIES SHALL BE INSTALLED AT ALL CABLE ENTRY THREADS AT INSTALLATION.



- 10114443 (3X)
- 10114444 (3X)
- 631357 (3X)

CUSTOMER \_\_\_\_\_

P.O. NO. \_\_\_\_\_

MSA NO. \_\_\_\_\_

LOCATION \_\_\_\_\_

TAG NO. \_\_\_\_\_

TOTAL NO. OF UNITS \_\_\_\_\_

REVISIONS

④ 7-2-2014 REVISED & REDRAWN UPDATED TO SOLIDWORKS STANDARDS A. BRACKET 10147305 WAS 10047563 ECO#7000004333A JS

JUL 02 2014

**MSA** MSA CRANBERRY TWP. PA, 16066 UNITED STATES

THIS DRAWING IS THE PROPERTY OF MSA AND IS MADE AVAILABLE TO YOU IN CONFIDENCE AND SUBJECT TO THE FOLLOWING: NO PERMISSION IS GRANTED TO PUBLISH, USE, REPRODUCE, TRANSMIT OR DISCLOSE THIS DRAWING, OR ANY INFORMATION CONTAINED THEREIN TO OTHERS WITHOUT THE PRIOR WRITTEN CONSENT OF MSA EXCEPT FOR THE MANUFACTURE OF ARTICLES FOR MSA. SCHUTZVERMERK NACH DIN 34 BEACHTEN. MSA AUER GmbH.

MSA STANDARD SHOP PRACTICES APPLY

CODE SYMBOLS

CRITICAL	△
MAJOR A	△
MAJOR B	△
100% INSPECTION	△
TOLERANCES UNLESS OTHERWISE SPECIFIED	
FRACTIONAL	± 1/64
2 PL DEC.	± 0.01
3 PL DEC.	± 0.005
ANGULAR	± 1 DEG.
SEE MSA STANDARD SHOP PRACTICES FOR DRILLED HOLE TOLERANCES	

JOB NO. 30009743 PH0718 APPROVAL AGENCY CODE: Y | H | L R

DRAWN BY GJT DATE 5-23-2011

CHECKED BY C. LEHECKA DATE 6-10-11

PROJECT ENGR. B. SHYU DATE 6-10-11

QUALITY ASSURANCE J. DANNHARDT DATE 6-10-11

MANUFACTURING D. BRUNI DATE 6-13-11

CADD REF: sk3015-1034\_alum\_box

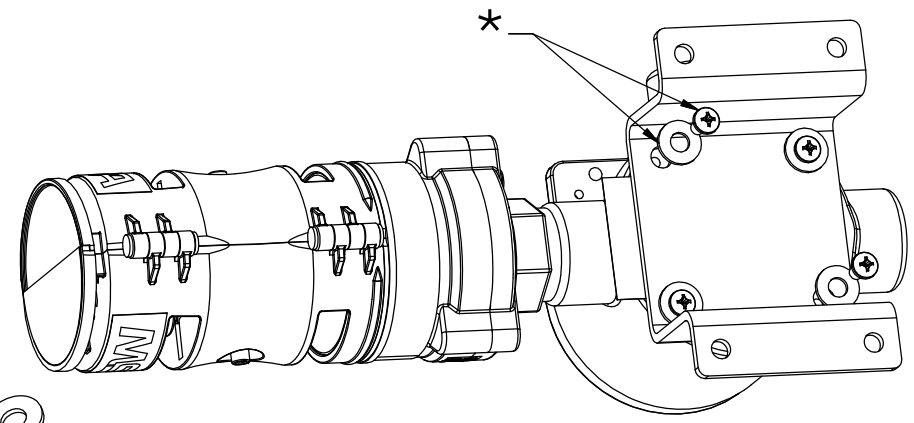
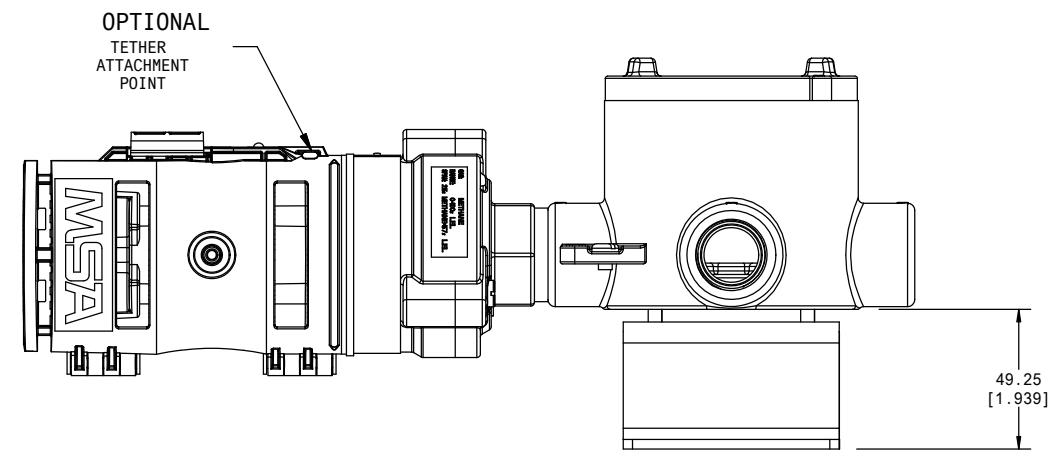
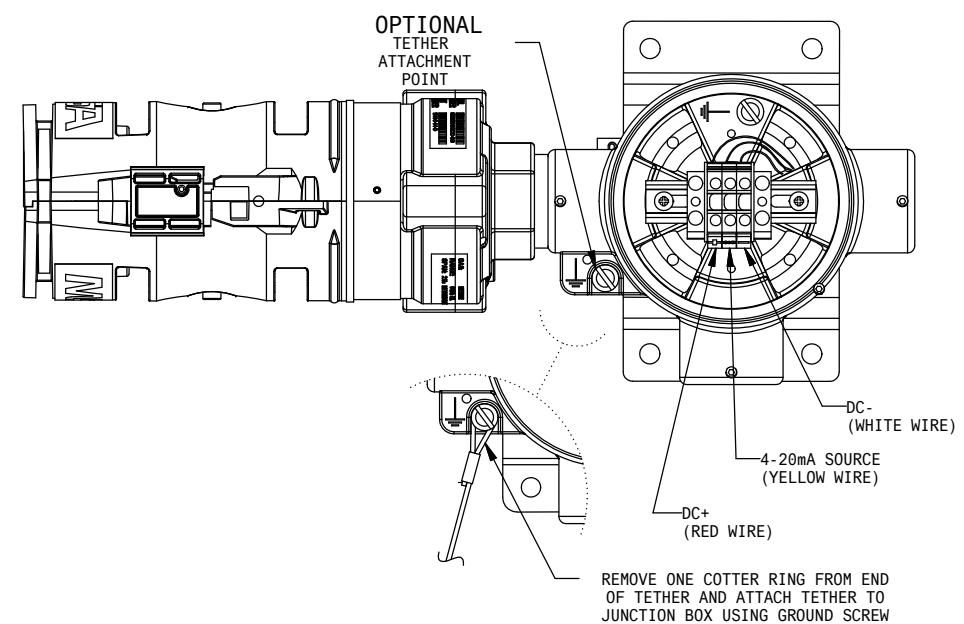
SCALE: 1:1

**SK3015-1034**

SHEET 1 OF 2

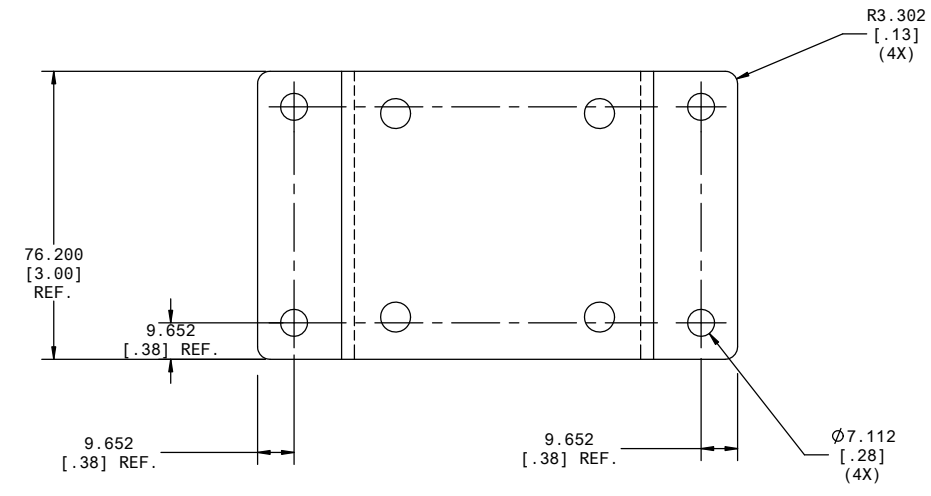
Production 4

# SENSOR WITH OPTIONAL STAINLESS STEEL JUNCTION BOX

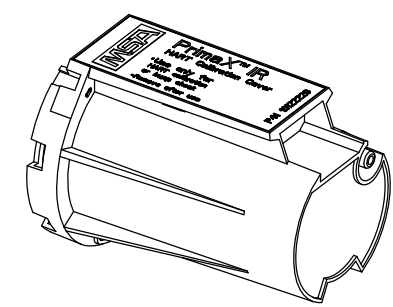


SCALE 0.750

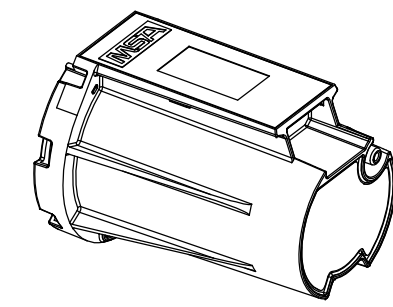
**SENSOR AND JUNCTION BOX WEIGHTS:**  
 SENSOR: 1.5 kg (3.3 lbs)  
 STAINLESS STEEL JUNCTION BOX: 2.2 kg (4.85 lb)  
 MOUNTING BRACKET: 0.28 kg (0.62 lb)  
 COMBINED SENSOR, JUNCTION BOX & BRACKET: 4.0 kg (8.8 lb)



**OPTIONAL MOUNTING BRACKET FOR STAINLESS STEEL JUNCTION BOX**  
 (MOUNTING BRACKET P/N 10113773)



**OPTIONAL HART CALIBRATION COVER**  
 P/N 10122228  
 (REMOVE ENVIRONMENTAL GUARD PRIOR TO USE.)



**OPTIONAL ELECTRONIC CALIBRATION CAP**  
 P/N 10111874  
 (REMOVE ENVIRONMENTAL GUARD PRIOR TO USE.)

REVISIONS
REV. 4
JUL 02 2014

LIFECYCLE STATE: **Production** REVISION: **4**

<b>MSA</b> MSA CRANBERRY TWP. PA. 16066 UNITED STATES		THIS DRAWING IS THE PROPERTY OF MSA AND IS MADE AVAILABLE TO YOU IN CONFIDENCE AND SUBJECT TO THE FOLLOWING: NO PERMISSION IS GRANTED TO PUBLISH, USE, REPRODUCE, TRANSMIT OR DISCLOSE THIS DRAWING, OR ANY INFORMATION CONTAINED THEREIN TO OTHERS WITHOUT THE PRIOR WRITTEN CONSENT OF MSA EXCEPT FOR THE MANUFACTURE OF ARTICLES FOR MSA. SCHÜTZVERMERK NACH DIN 34 BEACHTEN. MSA AUER GmbH.	
MSA STANDARD SHOP PRACTICES APPLY		JOB NO. 30009743 PH0718	APPROVAL AGENCY CODE: Y H L R
CODE SYMBOLS	DRAWN BY GJT	DATE 5-23-2011	<b>INSTALLATION OUTLINE, PRIMAX IR</b>
CRITICAL ▲	CHECKED BY C. LEHECKA	6-10-11	
MAJOR A ▲	PROJECT ENGR. B. SHYU	6-10-11	
MAJOR B ▲	QUALITY ASSURANCE J. DANNHARDT	6-10-11	
100% INSPECTION ▲	MANUFACTURING D. BRUNI	6-13-11	CADD REF:
FRACTIONAL ±	SEE MSA STANDARD SHOP PRACTICES FOR DRILLED HOLE TOLERANCES		SCALE: 1:1
2 PL DEC. ±	<b>D SK3015-1034</b>		SHEET 2OF2
3 PL DEC. ±			
ANGULAR ±			